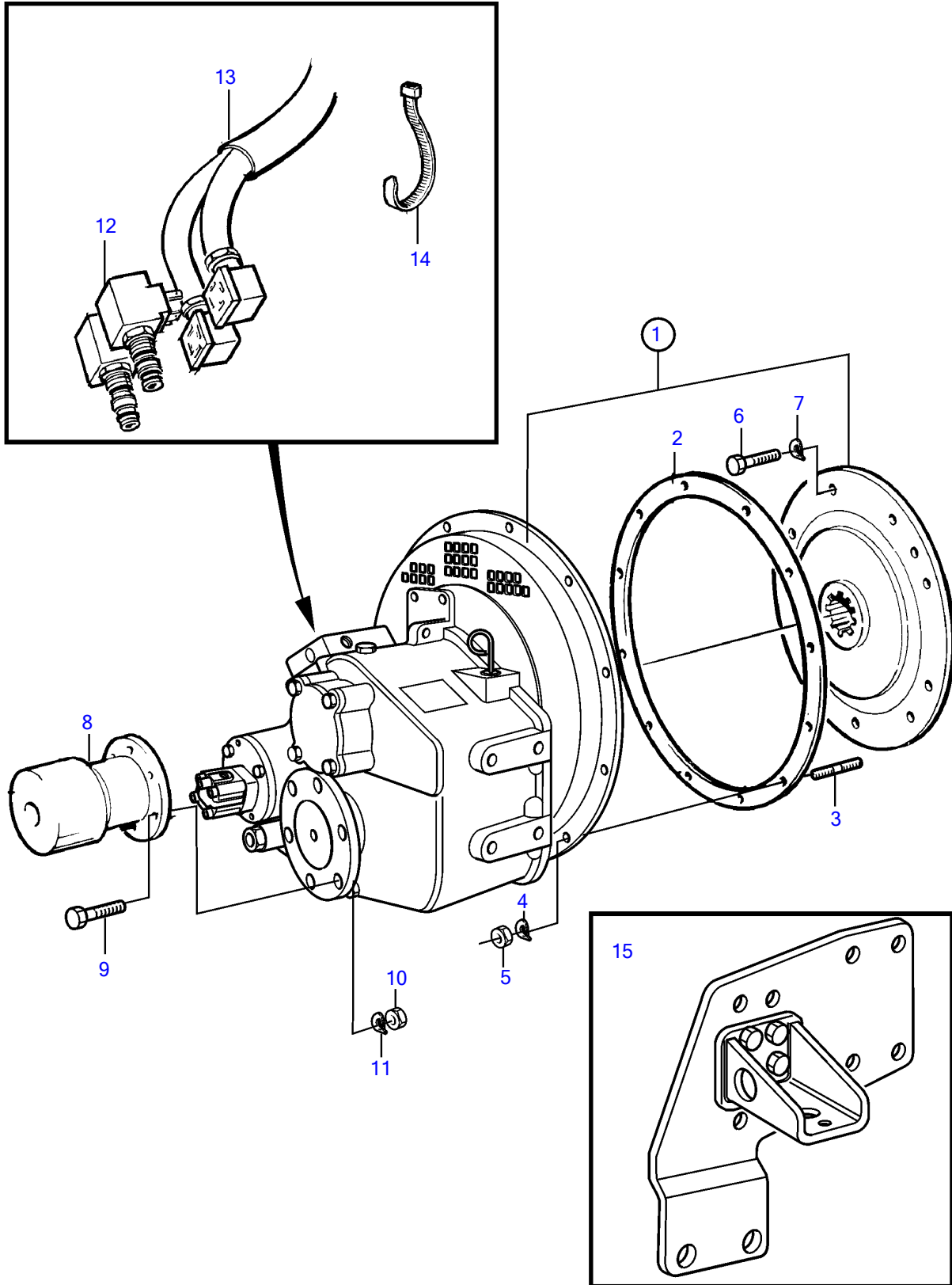


TAMD73WJ-A



TAMD73WJ-A

REF	PART NO.	QTY	DESCRIPTION	SEE SEC.	NOTES
1		1	Reversing gear		Ratio 1.48:1
		1	Reversing gear		Ratio 1.77:1
		1	Reversing gear		Ratio 2.00:1
		1	Reversing gear		Ratio 2.227:1
			• parts not sold separately		
2	862623	1	Gasket		
3	953486	12	Stud		
4	942336	12	Spring washer		
5	955827	12	Hexagon nut		
6	940162	8	Hexagon screw		
7	942336	8	Spring washer		
8	842106	1	Companion flange		
9	955739	6	Hexagon screw		
10	950378	6	Lock nut		
11	941912	6	Spring washer		
12	3827257	2	Solenoid		12V
	3826414	2	Solenoid		24V
13	873827	1	Cable kit		
14	948211	2	Cable tie		
15		2	Engine suspension	4002	28"
		2	Engine suspension	5012	22.5"

7740910-44-4008

17525

Upd:2011-09-22

TAMD71B, TAMD73P-A, TAMD73WJ-A

**VOLVO**  
**PENTA**